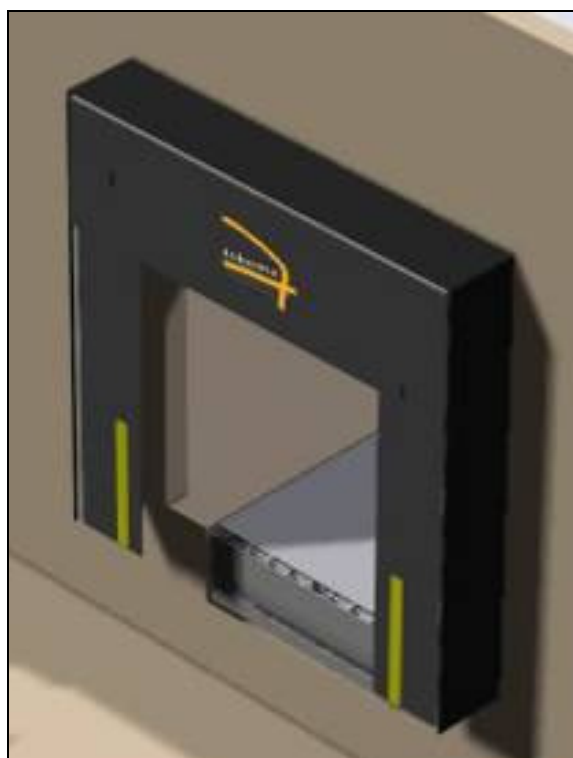


Inkema Sistemas, S.L.



Instruction manual
Retractable Dock Shelter **ABRE**



Contents	Page
01 – Index	1
02 – Introduction	2
03 – Components and parts of the machine	3
04 – Assembly	4
05 – Instructions for use	6
06 – Contact	7

02 – Introduction

This manual is a guide how to use the **ABRE** retractable dock shelter correctly and safely.

Compliance with these instructions ensures a long lifetime for the dock shelter and respecting the safety rules prevents the most common accidents that can occur when working with it.

The instructions in this manual alone cannot ensure work is safe and do not obviate the need for the operator to observe the safety code and the local or national laws, rules and regulations.

If you lose the manual, please order another copy, as it is specific for each machine. It is obligatory that you always keep the manual with the dock shelter, so you can consult it at any moment, should you have any doubts about its use.

The manufacturer has no direct control over the operations, location or handling of the dock shelter. Good safety practices are the responsibility of the operator.

It is the responsibility of the operator to read and understand this manual before using the dock shelter.

The information in this manual is valid at the time of publication. The photographs and drawings are generic. Consequently, this information may vary due to the constant research and development by **INKEMA SISTEMAS S.L.**

Consult the Technical Department if you find discrepancies.

The manual is part of the machine and must be included if it is sold.

03 – Components and parts of the machine

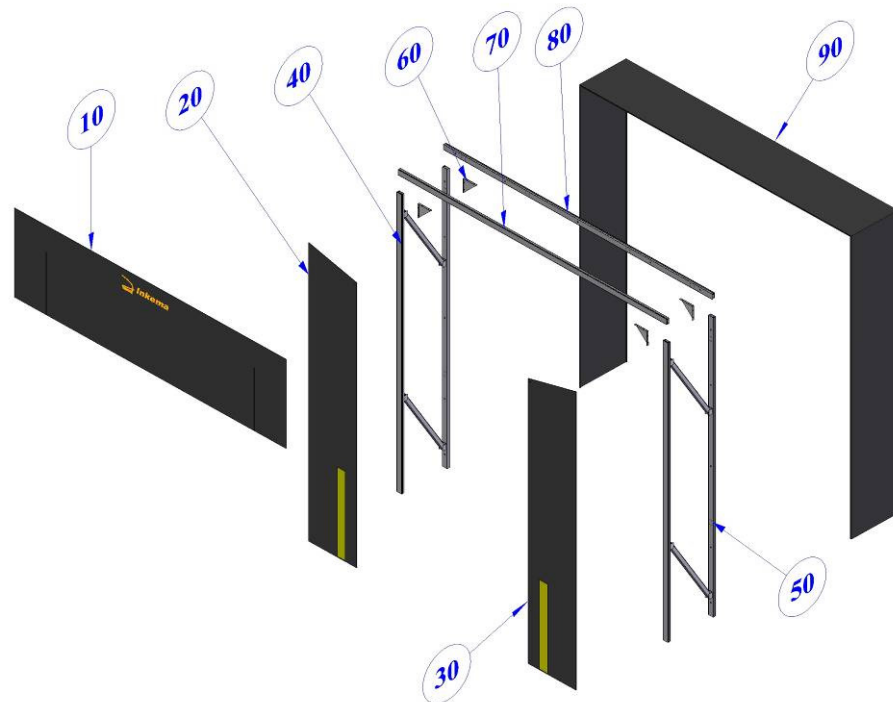


Fig. 1

Item	Code	Description	Quant.
10	20.0024.0001	Set of upper Top canvas	1
	30.0012.0164	Bolt 6.3x13 DIN-6928-C	7
20	20.0024.0002	Canvas left side	1
	30.0012.0164	Bolt 6.3x13 DIN-6928-C	7
30	20.0024.0002	Canvas right side	1
	30.0012.0164	Bolt 6.3x13 DIN-6928-C	7
40 -50	20.0023.0008 - 09	Dock shelter left/right side	1 + 1
	30.0007.0322	Rear profile tube	1 + 1
	30.0007.0321	Front profile tube	1 + 1
	30.0008.0018	Hinged support "U"	4 + 4
	30.0007.0005	Hinged tubes	2 + 2
	30.0012.0163	Bolt 6.3x25 DIN-6928-C	16 + 16
	30.0012.0165	Bolt M8x60 DIN-84	2 + 2
	30.0012.0020	Nut M8 DIN-985	2 + 2
	60	30.0008.0278	Reinforcing bracket
30.0012.0166		Bolt M8x80 DIN-933	16
30.0012.0020		Nut M8 DIN-985	16
70		20.0023.0010	Front roof assembly
	30.0007.0321	Front profile tube	1
	30.0012.0042	Self drilling screw 4.2x19 DIN-7504K	4
	30.0014.0011	Dock shelter roof bridge	2
	30.0021.0016	Tension rubber Ø8.5mm	1
80	30.0007.0322	Rear profile tube	1
90	30.0018.0011	Covering canvas	1

04 – Assembly

VERY IMPORTANT: When working with the dock shelter, you must always observe the law on occupational risk prevention and the regulations on health, safety and hygiene at work.

Please find below the steps for installing the dock shelter:

Step 1: Anchor the sides to the wall where you wish to install the dock shelter; this must be centred with the doorway.

The lower part of the sides must be flush with the building floor and must be fitted so that they are fully parallel.

Verify that the distance between the sides (the width of the dock shelter) is correct (depending on the width of the dock shelter to install). Check that the measurement between the doorway and the guide you are positioning (A) is equal on both sides (see Figs. 2 and 3).

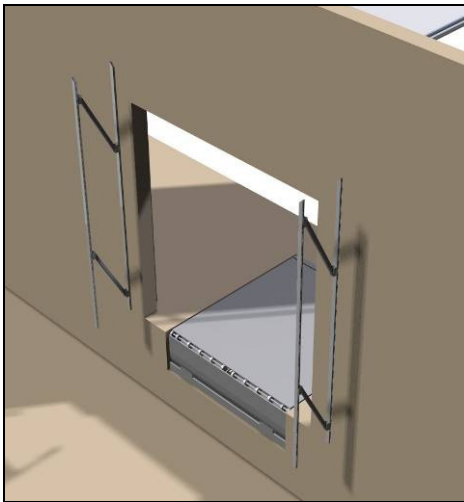


Fig. 2

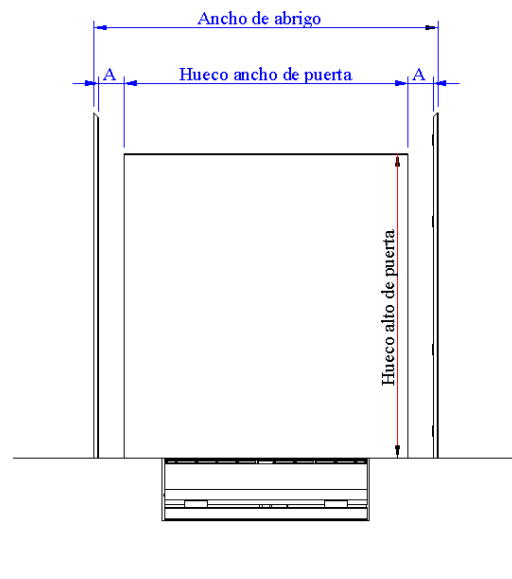


Fig. 3

Step 2: Position the upper profiles, with the brackets that join them to the sides you have just positioned and the covering canvas.

Position the sides of the covering canvas using the guides on the sides of the dock shelter.

Verify that the covering canvas is properly positioned and is as tight as possible (see Fig. 4).

Step 3: Place the side canvas in the vertical guides of the dock shelter. Both canvas must be aligned and symmetrical (see Fig. 5).

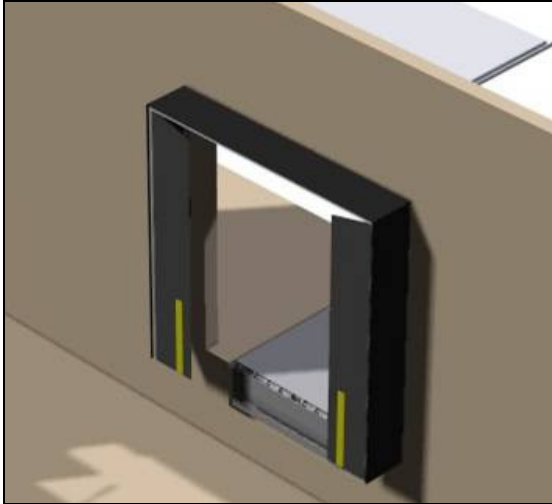


Fig. 4

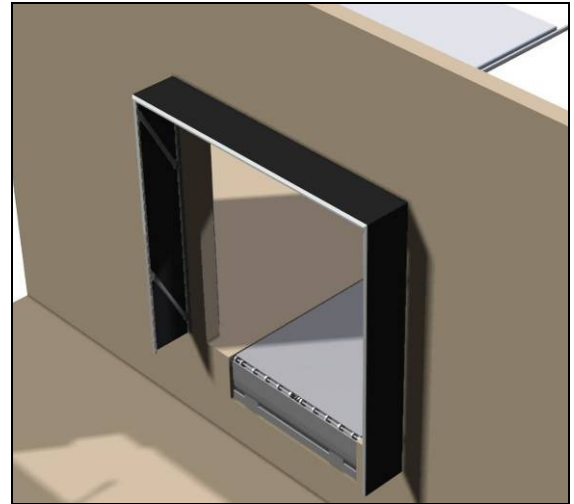


Fig. 5

Step 4: Place the front canvas in the upper horizontal guide. Position the rubber that joins the two side canvas.

Use your hand to apply pressure to the sides of the dock shelter and verify that they contract with no trouble at all and the dock shelter operates correctly (see Fig. 6).

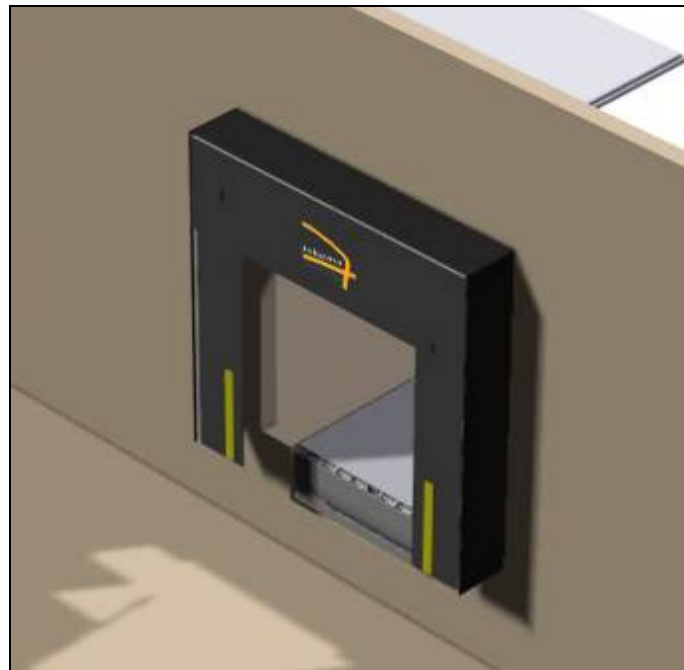


Fig. 6

The installation can be deemed finished when the installer authorised by **INKEMA SISTEMAS, S.L.** fills in the corresponding installation control sheet.

05 – Instructions for use

Before use:

Visually verify that the dock shelter is in perfect condition for use.

Check that the dimensions of the lorry are suitable for the dock shelter to adapt to.

Line the lorry up with the dock shelter and reverse slowly until you make contact with the rubber stoppers on the facade.

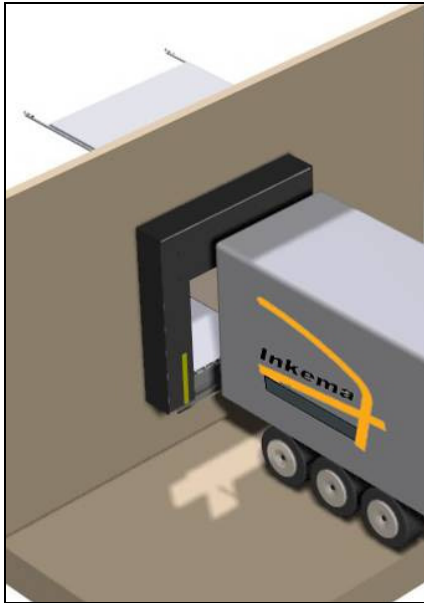


Fig. 7
Correct position



Fig. 8
Incorrect position

Lining up the lorry with the loading platform ensures that the dock shelter canvas will fit the lorry perfectly and therefore function correctly.

This ensures the loading and unloading process will be watertight, saving a significant amount of energy and protecting the goods.

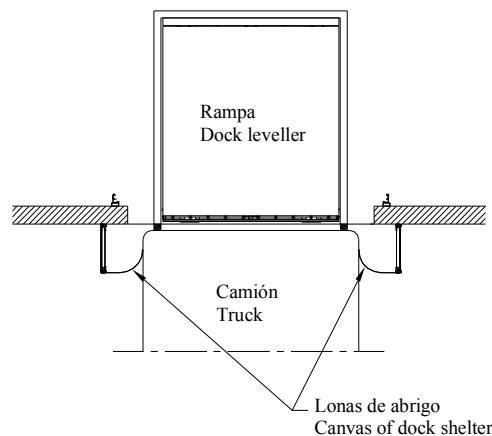


Fig. 9



Inkema Sistemas, S.L.

Factory and headquarters

C/ Galileo, naves 7 y 8
Apartado de correos 132
08150 Parets del Vallès
Barcelona - Spain

Export Tel.: + 34 93 544 47 08

Fax.: +34 93 572 30 11

Tel.: 902 47 47 46

E-mail: inkema@inkema.com

Website: www.inkema.com